



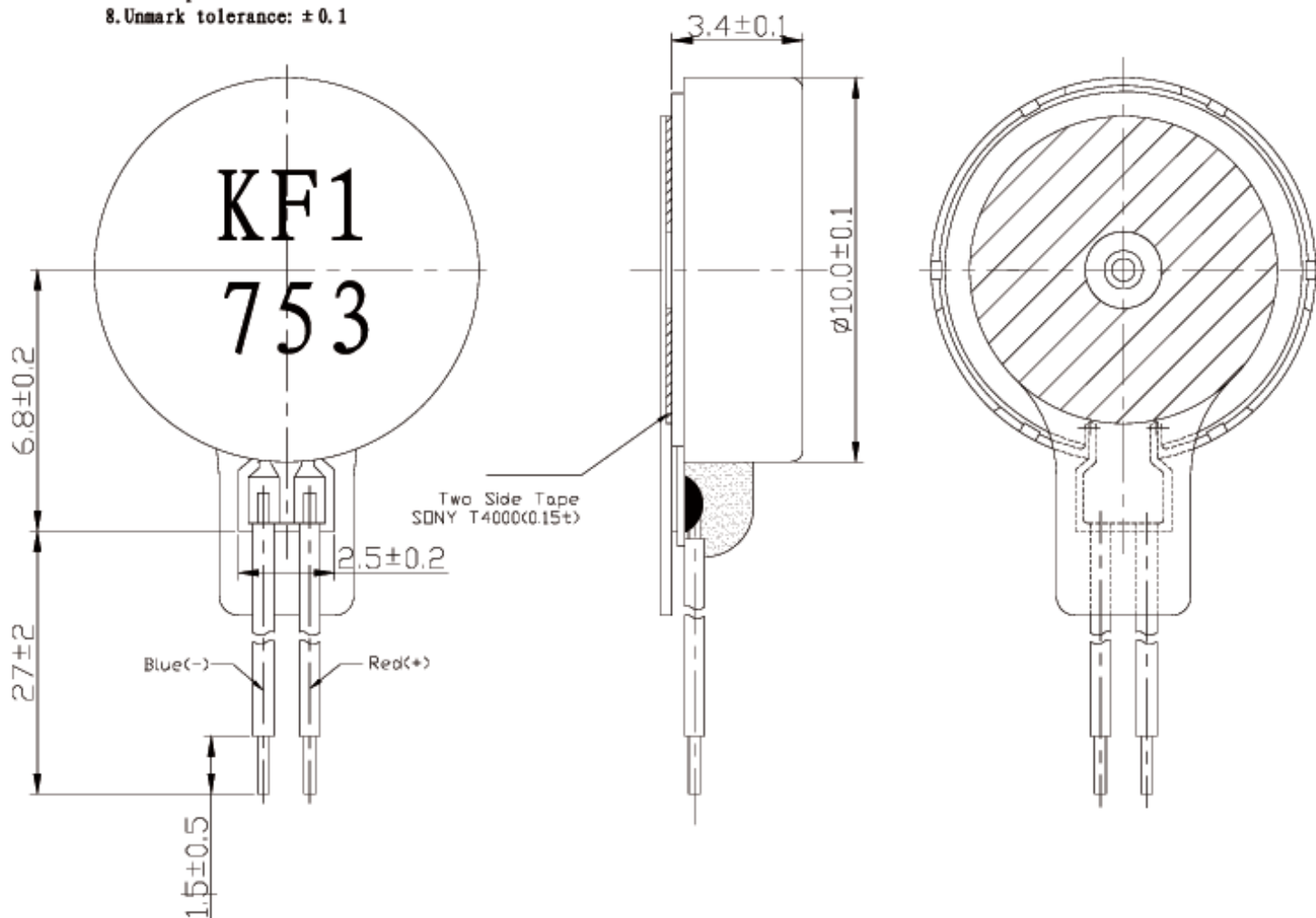
KOTL JinLong Machinery

[Home](#) |
 [Product Info](#) |
 [About us](#) |
 [Factory tour](#) |
 [ISO Certifications](#) |
 [RoHS Info](#) |
 [Sample Request](#) |
 [Contact us](#) |
 [Email us](#)

Part No. C1034A003F

Technic requirment

1. Rate voltage: 1.3V
2. Rate current: 100mA Max
3. Rate speed: 9,000rpm Min
4. Starting voltage: 1.1V Max
5. Terminal resistance:
 - 8.5Ω ± 15% (Single phase)
 - 17Ω ± 15% (Double phase)
6. At DC 100V, that lead wire and case thin out the insulation resistance: >10MΩ
7. Lead spec: AWG32 UL1571
8. Unmark tolerance: ± 0.1



1. Application

This specification applies to flat permanent-magnetic motors DC model **C1034A003F**.

2. Operating condition

Item	Specification
2-1	Rated voltage 1.3 V DC
2-2	Operating voltage 1.0~1.7 V DC
2-3	Rotation CW(clockwise) or CCW(contrary clockwise)
2-4	Operating environment -20°C ~ +60°C , Ordinary Humidity: 65±20% RH
2-5	Storage environment -30°C ~ +70°C , Ordinary Humidity: 65±20% RH

3. Conditions of Measurement

Item	Specification
3-1	Temperature 25±3°C
3-2	Humidity 65±20% RH
3-3	Power supply Constant power supply 1.3V

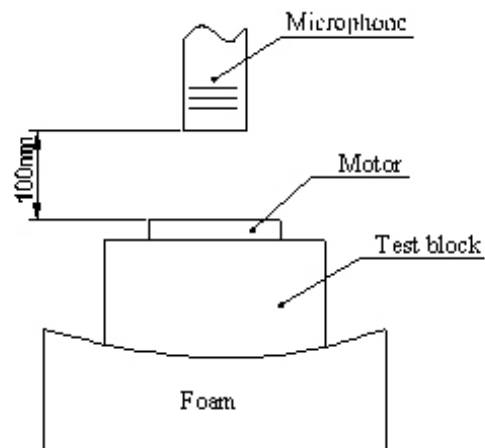
4. Electrical characteristics

Item	Specification	Condition
4-1	Rated speed 9,000rpm Min	At rated voltage
4-2	Rated current 100 mA Max	At rated voltage
4-3	Starting current 120 mA Max	Motor is rotating at min starting voltage.
4-4	Starting voltage 1.1 V DC Max	Motor is rotating at min starting voltage.
4-5	Insulation resistance 10 MΩ Min	At DC 100 V between lead wire and case.
4-6	Terminal resistance 8.5 Ω ± 15% (Single posture) 17 Ω ± 15% (Compose posture)	At 25C°

5. Mechanical characteristics

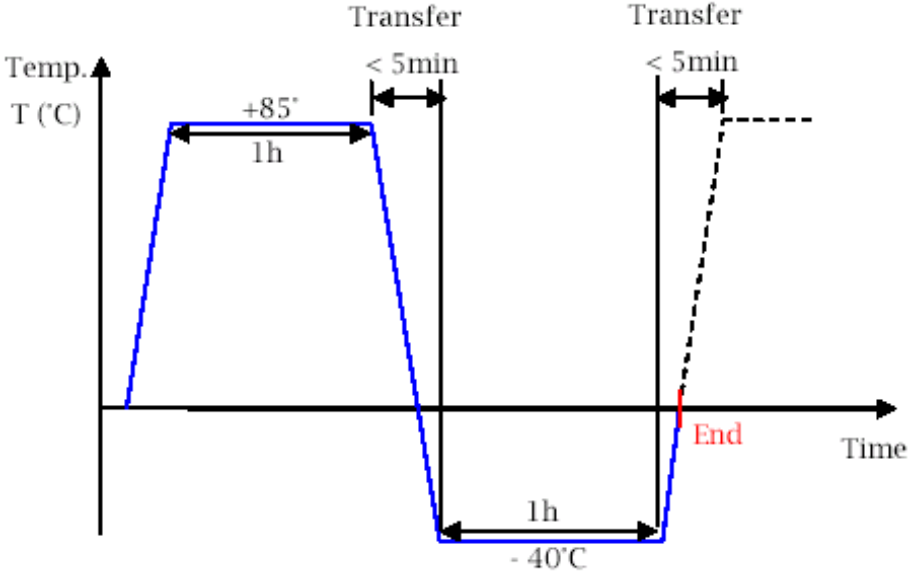
Item	Specification
5-1	Bracket deflection strength 9.8 N or more
5-2	Mechanical noise 50 dB(A)Max

At rated voltage, back ground noise 28dB(A) Max



6. Durability characteristics

Item	Specification	Requirements
6-1 Lifetime	<p>Rated voltage : 1.3 V DC Test mode: 2s On, 2s Off, as one cycle. Test cycle 50,000 cycles</p>	After the test, motors shall be approved as specified in item 7-1.
6-2 Low temperature exposure	<p>Temperature : -30°C Time : 96 h</p>	After 4 hours exposure in ordinary temperature and humidity, motors shall be approved as specified in item 7-2.
6-3 High temp. exposure	<p>Temperature : +70°C Time : 96 h</p>	After 4 hours exposure in ordinary temperature and humidity, motors shall be approved as specified in item 7-2.
6-4 Humidity exposure	<p>Temperature : +40°C Humidity : 95%RH Exposure time : 96 h No condensation of moisture</p>	After 4 hours exposure in ordinary temperature and humidity, Motors shall be approved as specified in item 7-2.
6-5 Vibration	<p>Displacement : 1.5mm (p-p) Frequency: 10~55Hz Acceleration: 22m/s² Period: 10 Minutes log sweep (10~55~10Hz) Condition : Samples shall be applied for a period of 10 minutes in three axial direction.</p>	After the test motors shall be approved as specified in item 7-2.

6-6	Free fall	<p>Test state: Set the motor to the approximately 100 g (include the motor) weight of block drop the motor on the concrete floor.</p> <p>Height :1.5 m</p> <p>Direction : ±x, ±y, ±z</p> <p>Number of times: Each 3 times</p>	After the test motors shall be approved as specified in item 7-2.
6-7	Thermal shock	<p>Test mode: 1 hour at -40°C, 1 hour at +85°C, as one cycle. Transfer time between extreme temperatures: < 5/5min/Test cycle: 15 cycles</p> 	After the test motors shall be approved as specified in item 7-2.

7. Requirements

Item		Requirements
7-1	Table A	1) Rated speed: No lower than -30% of initial data; No more than +50% initial data. 2) Rated current: No lower than -30% of initial data; No more than +50% initial data. 3) Terminal resistance: No lower than +15% of initial data; No less than -15% initial data. 4) Starting voltage: 1.1V DC Max 5) Insulation resistance : 10 MΩ Min
7-2	Table B	1) Rated speed: No more than +20% of initial data; No less than -20% initial data. 2) Rated current: No more than +20% of initial data; No less than -20% initial data. 3) Starting voltage: 1.1V DC Max 4) Terminal resistance: No more than +15% of initial data; No less than -15% initial data.

8. Caution for Use

8-1 Unless it is used in accordance with the specifications ,the performance and life may be considerably reduced . Due attention should be paid to voltage and range for use.

8-2 Advice uses this motor within 6 months as a voiding as possible.

Avoid use or save the motor in the following environment.

1. High temperature and high humidity area.
2. Corrosive gas such as $H_2S \cdot SO_2 \cdot NO_2 \cdot Cl_2$.
3. Dusty area.

8-3 Due attention must be paid to the handling and working environments because such objects as iron powder if attracted by the motor magnet, will cause noise, characteristic deterioration thus reducing the reliability.

8-4 Please confirm enough no problem of standards and laws and ordinances on your cellular phone.

8-5 To handle the motor ,hold the motor case softly.

8-6 Rust of plate (steel) and similar edge should be OK.

[Home](#) | [Product Info](#) | [About us](#) | [Factory tour](#) | [ISO Certifications](#) | [RoHS Info](#) | [Sample Request](#) | [Contact us](#) | [Email us](#)

Copyright 2009 © VibratorMotor.com